



**scale  
systems**

# INTEGRATED TANK ASSEMBLY

The ITA is an innovative self-contained low profile weighing assembly that integrates the mounting assembly and load cell. The ITA design allows up to a 3 degree off axis angle with no effect on weighing accuracy. The durable stainless steel hermetically sealed construction prevents intrusion from moisture or chemicals, providing years of service in the most hostile environments. Integral to the ITA design is Uplift Restraint and Side Load protection, eliminating the need for check rods or stabilizing hardware on most applications.

## Features

- Hermetically Sealed IP66/IP68
- Stainless Steel Construction
- Capacity (lb) 1K - 450K
- Low Profile, Self-Checking
- Integrated Load Cell and Mount

## Applications

- Tank, Vessel and Hopper Weighing
- Packaging and Bagging Systems
- Big Bag Weighing Machines
- Batching, Blending and Mixing

**WEIGH THE POSSIBILITIES**



**QUALITY**

**DEPENDABILITY**

**VALUE**

# INTEGRATED TANK ASSEMBLY

## PERFORMANCE:

**Full Scale Output:** 3 mV/V nominal  
**Linearity:**  $\pm 0.2\%$   
**Repeatability:**  $\pm 0.05\%$   
**Bridge Resistance:** 350 ohm nominal  
**Operating Temp.:** 10 - 110°F (-12° to 43°C)  
**Safe Overload:** 150% F.S.  
**Seal Type:** Hermetic, IP66 / IP68  
**Calibration:** Software using Actual mV/V or Calibration Weight  
**Construction:** All Stainless Steel  
 (cap. 150 - 450K alloy base plate)

## ELECTRICAL/WIRING:

**Rated excitation:** 10 - 15 VAC/VDC  
**Excitation +:** Green  
**Excitation -:** Black  
**Signal +:** White  
**Signal -:** Red  
**Cable Length:** 25 feet, 4-Cond. Shielded

## CAPACITIES:

1K - 450K lb.

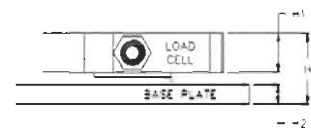
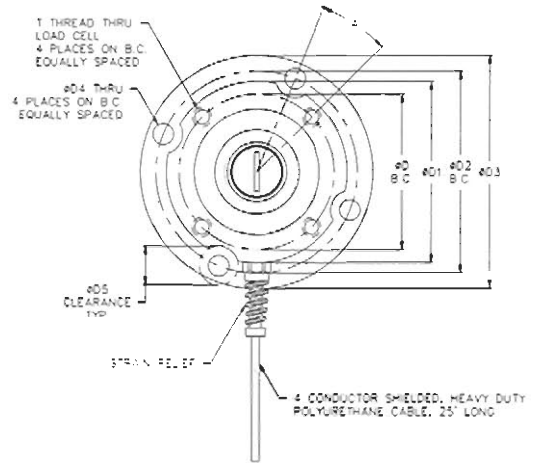
## OPTIONS:

**Cable Conduit Fitting** 1/2" NPT  
**NOTE:** NPT not available on 1 - 10k capacities  
**Factory Calibration** with any GSE 60 Series Indicator

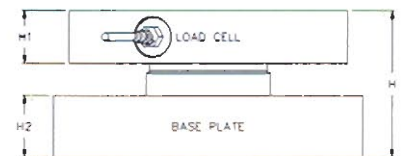
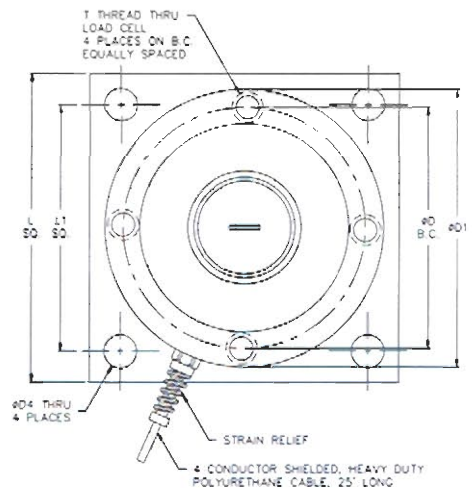
## APPROVALS:

**NTEP** (pending)  
**Factory Mutual** - FM

**NOTE:** Please consult the factory for specifications on other available tank weighing assemblies.



RATED CAPACITY (LBS)	H	H1	H2	D	D1	D2	D3	D4	D5	A	T
1K - 10K	1.37	0.75	0.375	3.000	3.50	3.900	4.50	0.400	0.75	23.0"	3/8-16
20K - 50K	2.53	1.30	0.75	4.825	5.50	6.250	7.00	0.563	1.25	17.0"	1/2-13
60K - 125K	3.12	1.50	1.00	5.500	6.50	7.000	8.00	0.813	1.75	52.5"	3/4-16



RATED CAPACITY (LBS)	H	H1	H2	L	L1	D	D1	D4	T
150K - 225K	4.75	1.70	2.00	10.00	8.00	7.825	9.00	1.06	1-12



Your Authorized GSE distributor is:



**SPX Corporation**  
 42860 Nine Mile Road  
 Novi, Michigan 48375-4122  
 Phone 248-596-0600  
 Fax 248-596-0601  
 Toll Free 800-755-7875 (MI)

**Mechanical Systems Division**  
 914 SE 14th Place  
 Cape Coral, FL 33990 USA  
 Phone: 239-574-2313  
 Fax: 239-574-2296  
 Toll Free: 800-237-6284 (FL.)  
 In Canada: 403-948-9921  
 Website: www.gse-inc.com  
 Email: gsesales@gse-scales.spx.com